

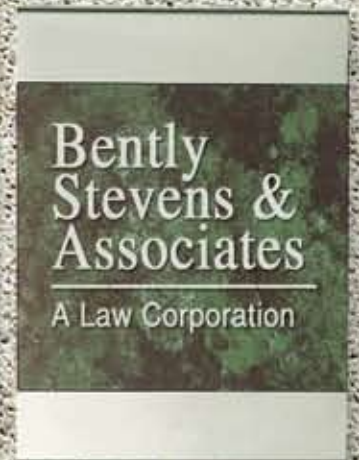
Decorative Bars

Four sizes of decorative bars create bold metallic borders for your signs. Formats of top and bottom or left side, right side are available. One can use equal size bars or mix two different sizes. All four sizes can be made into a complete four-sided frame.

2", 1 1/2", 1" and 5/8" profiles are polished and anodized from premium aluminum for rich metallic finishes.



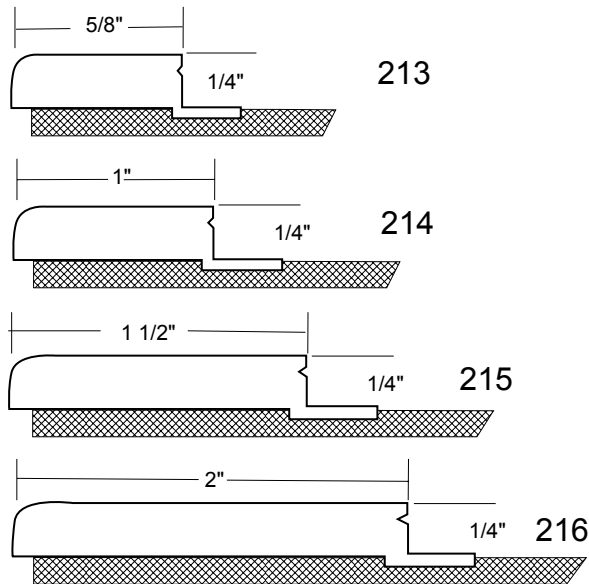
Acrylic lenses are laser cut and snap into frames over paper graphics.



Four sizes of decorative bars create bold metallic borders for your signs. **Standard format of top and bottom bars will be manufactured unless left side, right side bars are specified.** Use same size bar or mix two different sizes for a unique look. When ordering specify bar size.

- All four sizes can be made into a complete four sided frame.
- Bars are available in five anodized finishes: Satin Silver, and Matte Black are standard. Polished Silver, Polished Rose Gold and Polished Yellow Gold are available for a 25% upcharge All parts are anodized individually to give finished ends.
- Please specify part number, inside dimension and color. Inside depth is 1/4" unless specified. Not all formats accommodate a lens.
- Fax for quote on frames over 100 perimeter inches.
- Divided frames available. Maximum 2 dividers per each frame.
- **Not all formats accommodate a lens.**

Part No.	Size
213	5/8"
214	1"
215	1 1/2"
216	2"
2132	5/8"
2142	1" bar
2152	1 1/2" bar
2162	2" bar
2134	5/8"
2144	1" bar
2154	1 1/2" bar
2164	2" bar



Lenses

Lenses are made of a semi-flexible .060 or .080 non-glare acrylic and designed with tabs that snap the lens securely into the frame.

Lenses snap out by the use of a suction cup placed in the center of the lens. Maximum lens size is 200 square inches.

Chrome Plated Bars

Chrome plated bars add brilliance and prestige for those looking for the ultimate finish. Available in a Bright Chrome finish. Please contact us for lead times and pricing.

HELPFUL ORDERING INSTRUCTIONS: Make certain to include the following information: Part No., Length, Color and highlight any special instructions, such as NO HOLES.

