

**BO9010
Suction Cup
Hanger**

Has metal hanger for hanging signs on windows and glass doors. 1 3/4" diameter.



**BO9800
Fangs Mounting Pins**

The definitive answer to mounting of signage on most of today's woven fabric coverings of partitioned office systems, cubicles and soft walls. 1" x 1", Fangs are fully zinc plated. Attach to frame with a droplet of Bond Adhesive 454, also supplied by JRS (BO9801)



Sign panels and lenses can be easily inserted and removed using convenient suction cups.

Tool for removing signs from frames. Two available sizes.



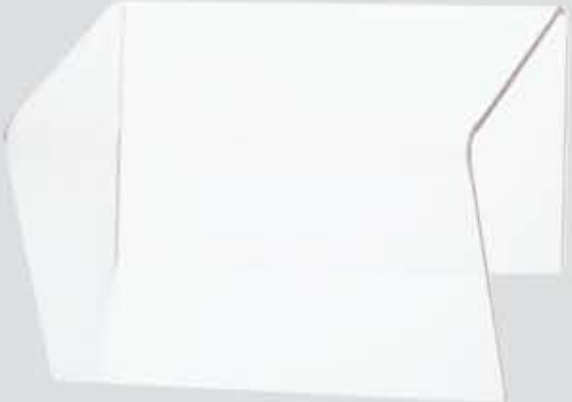
**BO9001
1" Suction Cup**



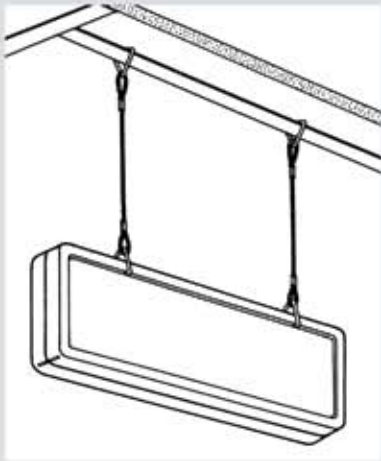
**BO9000
1 1/2" Suction Cup**

**P110
Clear Plastic Hanger**

Mounts signs over the top of office partitions. 3 1/2" long, 2 1/8" inside dimension, 1 7/8" high.



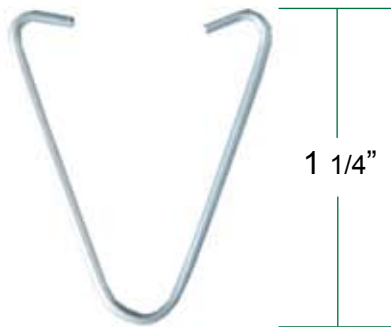
JRS Accessories



Double sided frames are easily suspended from T-bar ceilings by combining "V" Clips and looped-end cables.

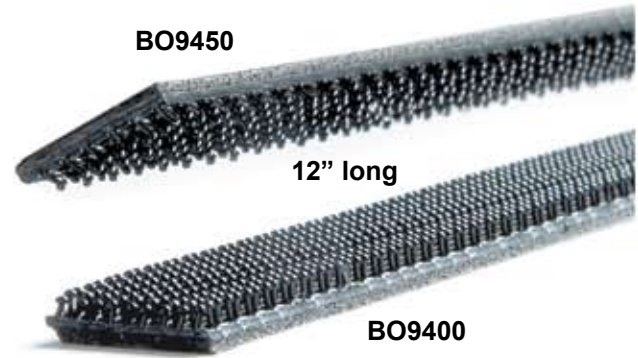


**BO9315
Looped-end
Cables**
Featuring 1/16" diameter zincplated wire rope 12" long with 1" looped ends. Hold up to 30 lbs.



**BO9310
"V" Clip**
For mounting to T-bar in suspended ceiling and over double-sided Architectural Frames. Holds up to 25 lbs.

BO9450



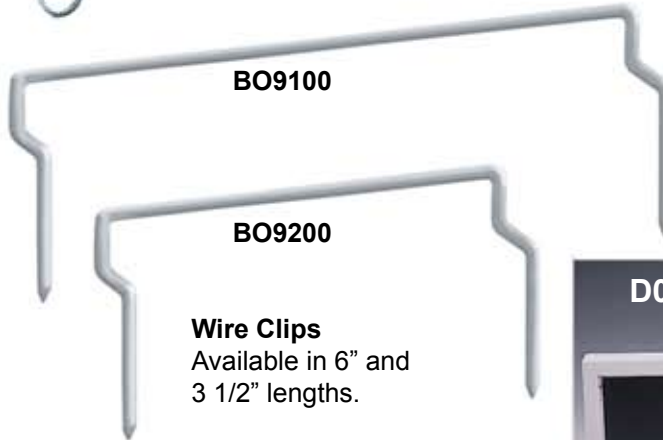
Adhesive backed BO9400 engages with BO9450 giving an audible snap to insure positive locking.



**BO9500
Sign Snap**
Includes both top, bottom, and adhesive. 1/2" x 12" complete.



Insert wire clip through holes located at top of the frame. Work around bend in wire while gently applying pressure upwards. Snap wire in place between frame and small peg. Apply adhesive inside frame over wire to secure permanent wire placement.



Wire Clips
Available in 6" and 3 1/2" lengths.

Frame Dividers
Section off frames for multiple plates. Custom sizes available, call for pricing. Dividers are available in 2", 4", 6", 8", 10", 12". Custom sizes available.

D02, D04, D06, D08, D10, D12

