

Traditional *Nameplates and Sign Holders*

Traditional holders for desks, counters, walls and doors enhance the signs that serve you daily.

SECOND FLOOR

- ↑ ALLERGIES
- CASHIER
- LOBBY
- ← EXIT
- ↑ X-RAY
- ↑ PHYSICAL THERAPY

TOM VISOSKY

EMPLOYEES ONLY

Stock Room



**NO
SMOKING
PLEASE**

PARKER MUNCIE
Account Executive

Robert Cullen

Judy North
Principal

All Fees
Must Be Paid Upon
Receipt of Service

INFORMATION

RECEPTION

TELEPHONE

KARIN WEST

Desk Holders

Sign holders for the desk are designed in many styles and sizes. Holders are highly polished and anodized in Polished Rose Gold or Polished Silver, enhancing any decor. Styles and sizes are indicated by part number and length. Custom lengths and three custom colors, Matte Black, Satin Silver, and Polished Yellow Gold are available by special order at no extra cost and 7 to 10 days production time. Arch Bronze, JRS Bronze, Satin Yellow Gold, and Satin Rose Gold are also available upon request for a 25% up charge and up to 4 weeks delivery.

Part No.	Insert Size		Available Lengths			
	A	B				
85	3/4"	1/16"	4"	6"	8"	10"
25	1"	1/16"	6"	7"	8"	10"
54	1 1/4"	1/16"	6"	7.5"	8"	10"
70	1 1/2"	1/16"	7.5"	8"	10"	
19	1 1/2"	1/8"	7.5"	8"	10"	
14	1 5/8"	1/16"	7.5"	8"	10"	
48	2"	1/16"	8"	10"	12"	
11	2"	1/8"	8"	10"	12"	
16	3 1/4"	1/8"	10"	12"		
483	2"	3/32"	8"	10"	12"	

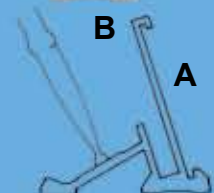
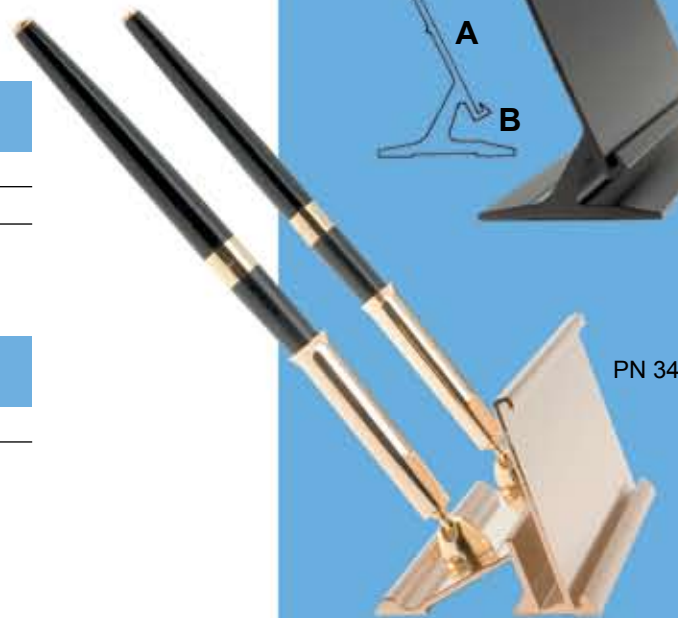
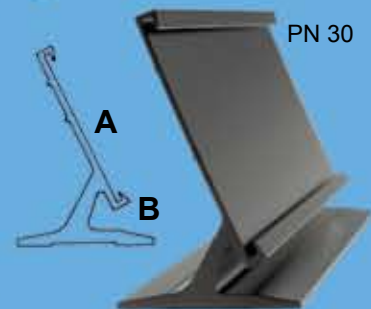
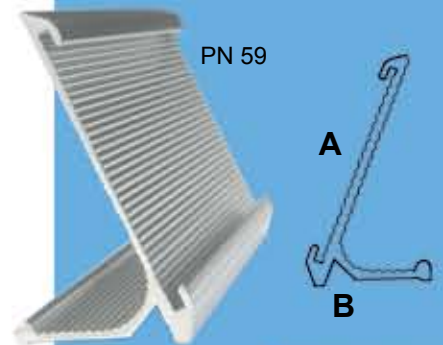
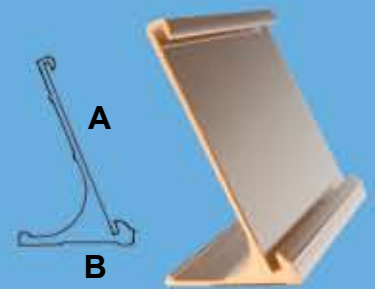
Part No.	Insert Size		Available Lengths	
	A	B		
59	2"	1/16"	8"	10"

Part No.	Insert Size		Available Lengths		
	A	B			
31	1 1/2"	1/16"	8"	9"	10"
30	2"	1/16"	8"	10"	

Part No.	Insert Size		Available Lengths
	A	B	
34	2"	1/16"	8"

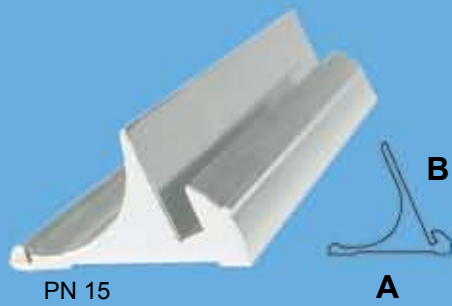
Custom lengths are available.

HELPFUL ORDERING INSTRUCTIONS: Make certain to include the following information: Part No., Length, Color and highlight any special instructions, such as NO HOLES.



Counter & Desk Bases

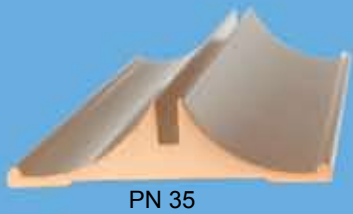
Sign bases for the desk and counter are designed to support both small and large signs. Holders are highly polished and anodized in Polished Rose Gold or Polished Silver, enhancing any décor. Styles and sizes are indicated by part number and length. Custom lengths and three custom colors, Matte Black, Satin Silver and Polished Yellow Gold are available by special order at no extra cost. Arch Bronze, JRS Bronze, Satin Yellow Gold and Satin Rose Gold are also available upon request for a 25% up charge and up to 4 weeks delivery.



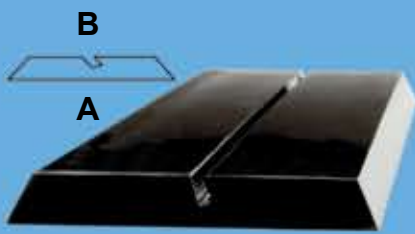
Part No.	Size A	Size B	Max. Sign Height	Available Lengths		
15	3/4"	1/16"	2"	6"	7 1/2"	8" 10"
50	15/16"	1/16"	3"	6"	8"	10"
97	1 7/16"	1/16"	7"	8"	10"	12"
17	1 3/32"	1/8"	4"	8"	10"	12"
55	2 1/2"	1/8"	8"	8"	10"	12"



Part No.	Size A	Size B	Max. Sign Height	Available Lengths		
40	1 1/4"	1/16"	3"	3 3/4"	5"	8" 10"

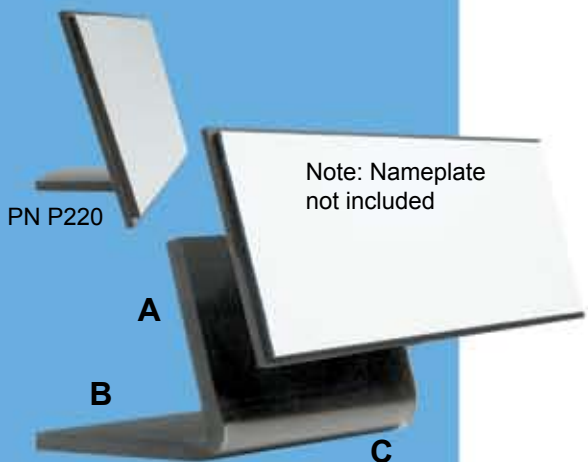


Part No.	Size A	Size B	Max. Sign Height	Available Lengths		
35	1 1/4"	1/16"	6"	6"	8"	10"
42	1 1/4"	1/8"	6"	6"	8"	10"
22	2 1/2"	1/8"	12"	6"	8"	10" 12"
39	1 1/4"	3/32"	6"	6"	8"	10"



Part No.	Size A	Size B	Max. Sign Height	Available Lengths	
P100	2"	1/16"	6"	8"	10"

Available in clear or black only.



Part No.	Size A	Size B	Size C
P220	1 1/8"	1 1/8"	2 5/16"

Available in black only.

Custom lengths are available with the exception of P100.

Wall & Corridor Brackets

Sign holders for the door or wall are available in many stock sizes and lengths. Holders are highly polished and anodized in Polished Rose Gold or Polished Silver, enhancing any décor. Styles and sizes are indicated by part number and length.

Mounting holes are standard in all insert sizes from 1 1/4" to 4". Custom lengths and three custom colors, Matte Black, Satin Silver and Polished Yellow Gold are available by special order at no extra cost. Arch Bronze, JRS Bronze, Satin Yellow Gold and Satin Rose Gold are also available upon request for a 25% up charge and up to 4 weeks delivery. Holders are available in Raw Aluminum finish. When ordered Raw, holes are NOT standard and must be requested. Holes available on parts 24" - 36" in length for an added charge.

A 36" length is provided without holes in the styles and sizes below for your custom sign requirements. There is a minimum of five 36" lengths per order in any size combination.

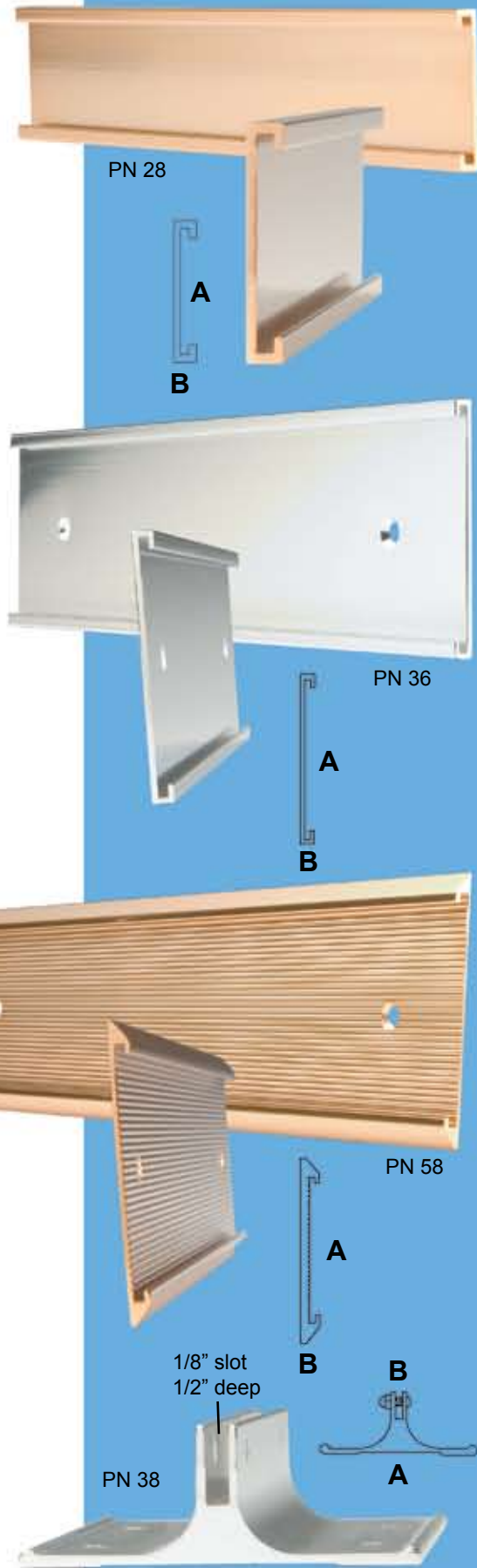
Part No.	Size		Available Lengths					
	A	B	4"	6"	8"	10"	12"	36"
86	1/2"	1/16"	4"	6"	8"	10"	12"	36"
100	5/8"	1/16"	4"	6"	8"	10"	12"	36"
44	3/4"	1/16"	4"	6"	8"	10"	12"	36"
28	1"	1/16"	4"	6"	8"	10"	12"	36"
47	1 1/4"	1/16"	4"	6"	8"	10"	12"	36"
29	1 1/2"	1/16"	4"	6"	8"	10"	12"	36"
95	1 1/2"	1/8"	4"	6"	8"	10"	12"	36"
46	1 5/8"	1/16"	4"	6"	8"	10"	12"	36"
87	1 3/4"	1/16"	4"	6"	8"	10"	12"	36"
88	1 3/4"	1/8"	4"	6"	8"	10"	12"	36"
36	2"	1/16"	4"	6"	8"	10"	12"	36"
94	2"	1/8"	4"	6"	8"	10"	12"	36"
89	2 1/2"	1/16"	4"	6"	8"	10"	12"	36"
90	2 1/2"	1/8"	4"	6"	8"	10"	12"	36"
37	3"	1/16"	4"	6"	8"	10"	12"	36"
52	3"	1/8"	4"	6"	8"	10"	12"	36"
49	4"	1/16"	4"	6"	8"	10"	12"	36"
51	4"	1/8"	4"	6"	8"	10"	12"	36"
363	2"	3/32"	4"	6"	8"	10"	12"	36"

Part No.	Size		Available Lengths				
	A	B	4"	6"	8"	10"	36"
56	1"	1/16"	4"	6"	8"	10"	36"
57	1 1/2"	1/16"	6"	8"	10"	36"	
58	2"	1/16"	8"	10"	12"	36"	

Part No.	Size		Available Lengths						
	A	B	2"	3"	4"	5"	10"	12"	36"
38	2 1/2"	1/8"	2"	3"	4"	5"	10"	12"	36"

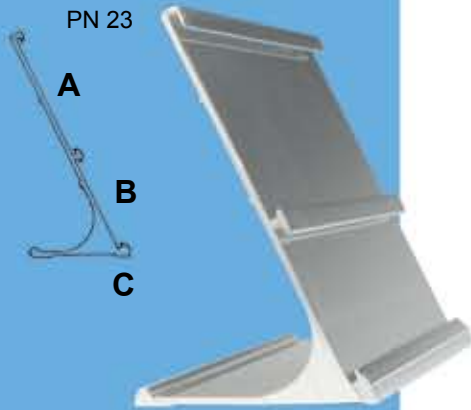
Screws available in BG, BS, BL.

HELPFUL ORDERING INSTRUCTIONS: Make certain to include the following information: Part No., Length, Color and highlight any special instructions, such as NO HOLES.

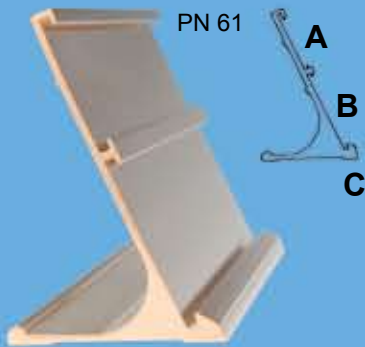


Multiple Sign Holders

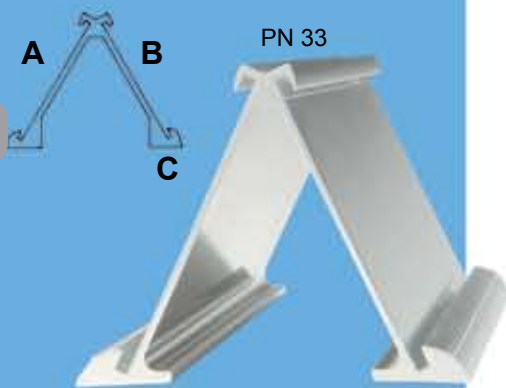
Sign holders for double signs or multiple uses are designed in various styles and sizes. Holders are highly polished and anodized in Polished Rose Gold or Polished Silver, enhancing any décor. Styles and sizes are indicated by part number and length. Custom lengths and three custom colors, Matte Black, Satin Silver and Polished Yellow Gold are available by special order at no extra cost. Arch Bronze, JRS Bronze, Satin Yellow Gold and Satin Rose Gold are also available upon request for a 25% up charge and up to 4 weeks delivery.



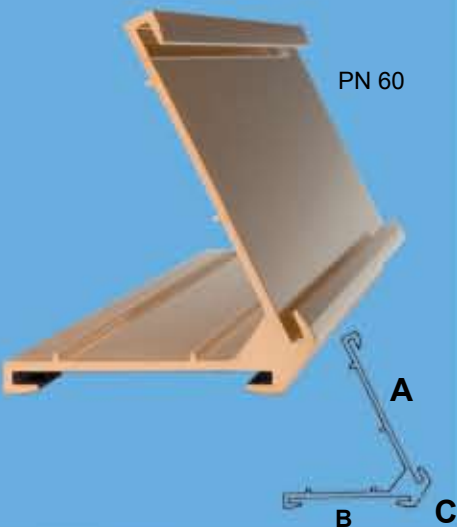
Part No.	A	Size B	C	Available Lengths		
23	2"	1 1/2"	1/16"	9"	10"	12"



Part No.	A	Size B	C	Available Lengths	
61	1"	1 1/4"	1/16"	8"	10"



Part No.	A	Size B	C	Available Lengths		
71	1 1/4"	1 1/4"	1/16"	6"	8"	10"
33	2"	2"	1/16"	8"	10"	



Part No.	A	Size B	C	Available Lengths	
60	2"	1 1/2"	1/16"	8"	10"

Custom lengths are available.

HELPFUL ORDERING INSTRUCTIONS: Make certain to include the following information: Part No., Length, Color and highlight any special instructions, such as NO HOLES.

Multiple Wall Bracket

Sign holders for multiple signs are designed to be used as individual signs or stacked on top of one another to form mini-directories. The special beveled edges insure a finished look with endless combinations. Holders are highly polished and anodized in Polished Rose Gold or Polished Silver, enhancing any décor. Styles and sizes are indicated by part number and length. Custom lengths and three custom colors, Matte Black, Satin Silver and Polished Yellow Gold are available by special order at no extra cost. Arch Bronze, JRS Bronze, Satin Yellow Gold and Satin Rose Gold are also available upon request for a 25% up charge and up to 4 weeks delivery. Holes are standard on all parts up to 24" in length. Holes available on parts 24" - 36" in length for an added charge.

Part No.	A	Size B	C	Available Lengths			
115	2"	1"	1/16"	6"	8"	10"	36"
107	1 1/2"	1"	1/16"	6"	8"	10"	36"
108	1 1/4"	3/4"	1/16"	6"	8"	10"	36"

Part No.	A	Size B	C	D	Available Lengths			
106	1"	1"	1"	1/16"	6"	8"	10"	36"
112	1 1/2"	1 1/2"	1 1/2"	1/16"	6"	8"	10"	36"
109	3/4"	3/4"	3/4"	1/16"	6"	8"	10"	36"

Part No.	A	Size B	C	Available Lengths			
104	1"	1"	1/16"	6"	8"	10"	36"
110	3/4"	3/4"	1/16"	6"	8"	10"	36"

Part No.	A	Size B	Available Lengths			
103	1"	1/16"	6"	8"	10"	36"
114	3/4"	1/16"	6"	8"	10"	36"

No holes on Part Nos. 103 & 114

Extruded moldings and dividers for your custom sign requirements are available in 36" lengths in Polished Rose Gold and Polished Silver. Matte Black, Satin Silver and Polished Yellow Gold are available by special order at no extra cost. Arch Bronze, JRS Bronze, Satin Yellow Gold and Satin Rose Gold are also available upon request for a 25% up charge and up to 4 weeks delivery. There is a minimum of five 36" lengths per order in any size combinations.

Part No.	Insert Size	Length	Description
75	1/16"	36"	J Molding
83	1/8"	36"	J Molding
76	1/16"	36"	Divider
84	1/8"	36"	Divider
27	1/8"	36"	See Image ▶
78	1/16"	36"	See Image ▶
77	1/16"	36"	See Image ▶

